

# General Duty Systems

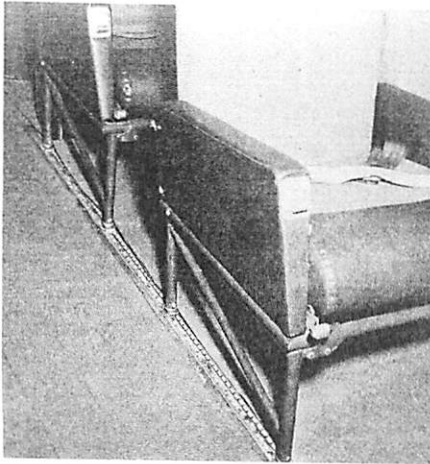


## Series G/1,500-5,500 lb. Strength Range

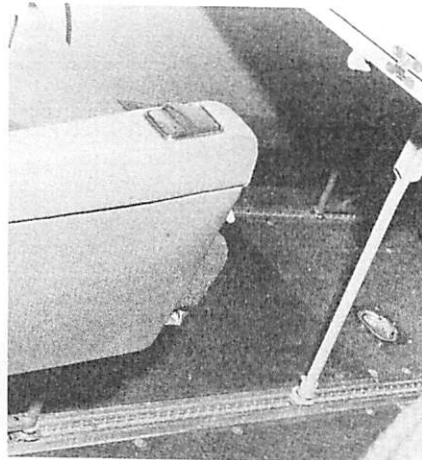
Aeroquip Series G System consists of slotted aluminum track and a variety of fittings designed for securing passenger seats, cargo and other equipment inside an aircraft. This system permits fast, easy conversion from passenger to cargo carrying capability. It facilitates quick attachment and removal of aircraft accessories and a flexible varying of load requirements and passenger density.

Aeroquip Series G track and fittings are used with chairs, ga electronic packaging and all types of cargo. An aircraft equi with this system becomes a versatile carrier capable of providi combination of passenger and cargo service.

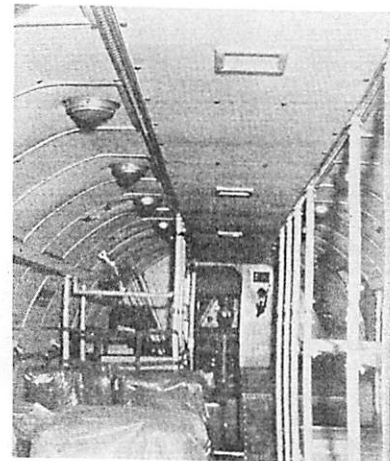
Track fittings include a screw-type fitting, a chair fitting for and table legs, and a cargo ring fitting for general cargo and ne



*Passenger seat securement is a widely used application of the Series G System. Seats can be easily removed to permit freight shipments.*



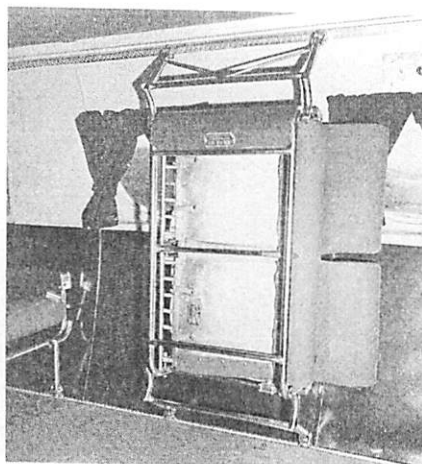
*Tables, racks and miscellaneous furniture are also secured with Series G Track and Fittings.*



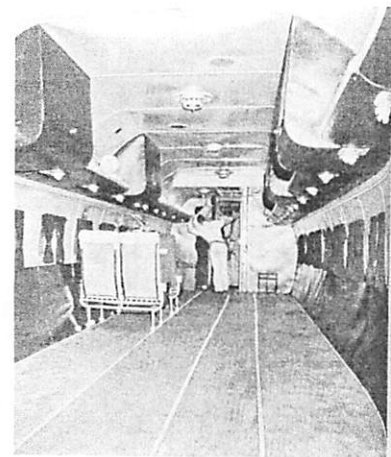
*Overhead tracks add to capability of system to accommodate varying nature of cargo.*



*All Series G Track Fittings can be operated easily with one hand and locked into the track.*

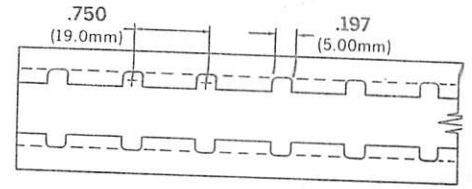
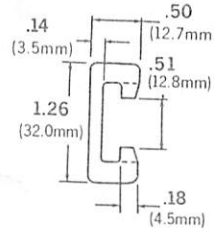
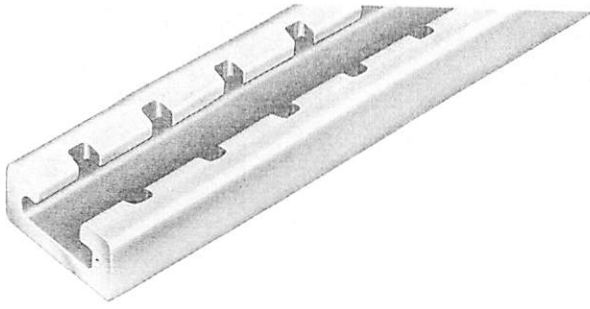


*Series G and passenger seats become part of integral system to convert aircraft to cargo carrier without removing seats.*



*Five rows of track in the deck and one along the top of the bulkheads provide excellent versatility for passenger/cargo accommodation.*

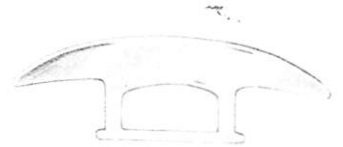
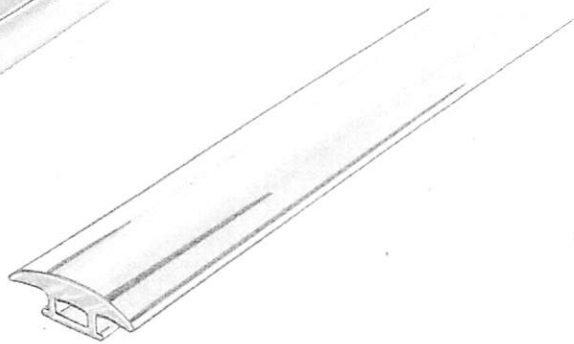
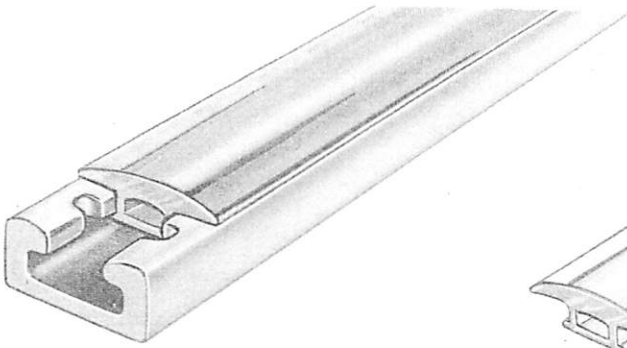
## Series G/34030-2 Track



Series G Track is manufactured of extruded aluminum, with slots spaced every  $\frac{3}{4}$  inch to provide multiple connection points. Available

in lengths up to 20 feet (6,096 mm) it is easily installed on the deck and sides of the aircraft. Weight per foot, 2.33 lbs (1.06 kg/meter).

## Series G/34081-1 Plastic Filler Strip

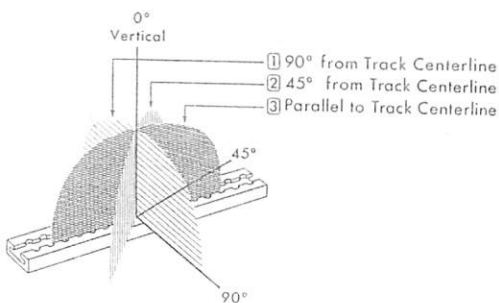


The Aeroquip Clear Plastic Filler Strip fits into Series G track to provide a smooth floor surface over unused sections, especially between passenger seats where narrow heels could trip or get

caught in the track, or where dirt, cigarette ashes or other debris could collect.

## Series G/Track Fitting Strengths

Strength ratings based on mounting of track at 1.50" intervals (38.1 mm).



Pull angle	Plane of Pull	Series G Cargo Track Fittings (see page 22)		
		32001 32003 32004 32013 32016	32012	32007 32008 32014
		Minimum Break Strength (lbs. & kg.)		
0°	0° Vertical	<b>5,000</b> 2,268	<b>5,500</b> 2,495	<b>5,000</b> 2,268
	① 90° from track centerline	<b>2,000</b> 907	<b>3,000</b> 1,361	<b>2,000</b> 907
45°	② 45° from track centerline	<b>3,000</b> 1,361	<b>3,500</b> 1,588	—
	③ Parallel to track centerline	<b>2,500</b> 1,134	<b>3,000</b> 1,361	—
90°	① 90° from track centerline	<b>1,500</b> 680	<b>2,500</b> 1,134	<b>1,500</b> 680
	② 45° from track centerline	<b>2,000</b> 907	<b>3,500</b> 1,588	—
	③ Parallel to track centerline	<b>2,000</b> 907	<b>3,500</b> 1,588	—

NOTE: Lbs. in bold type.  
Kg in light type.